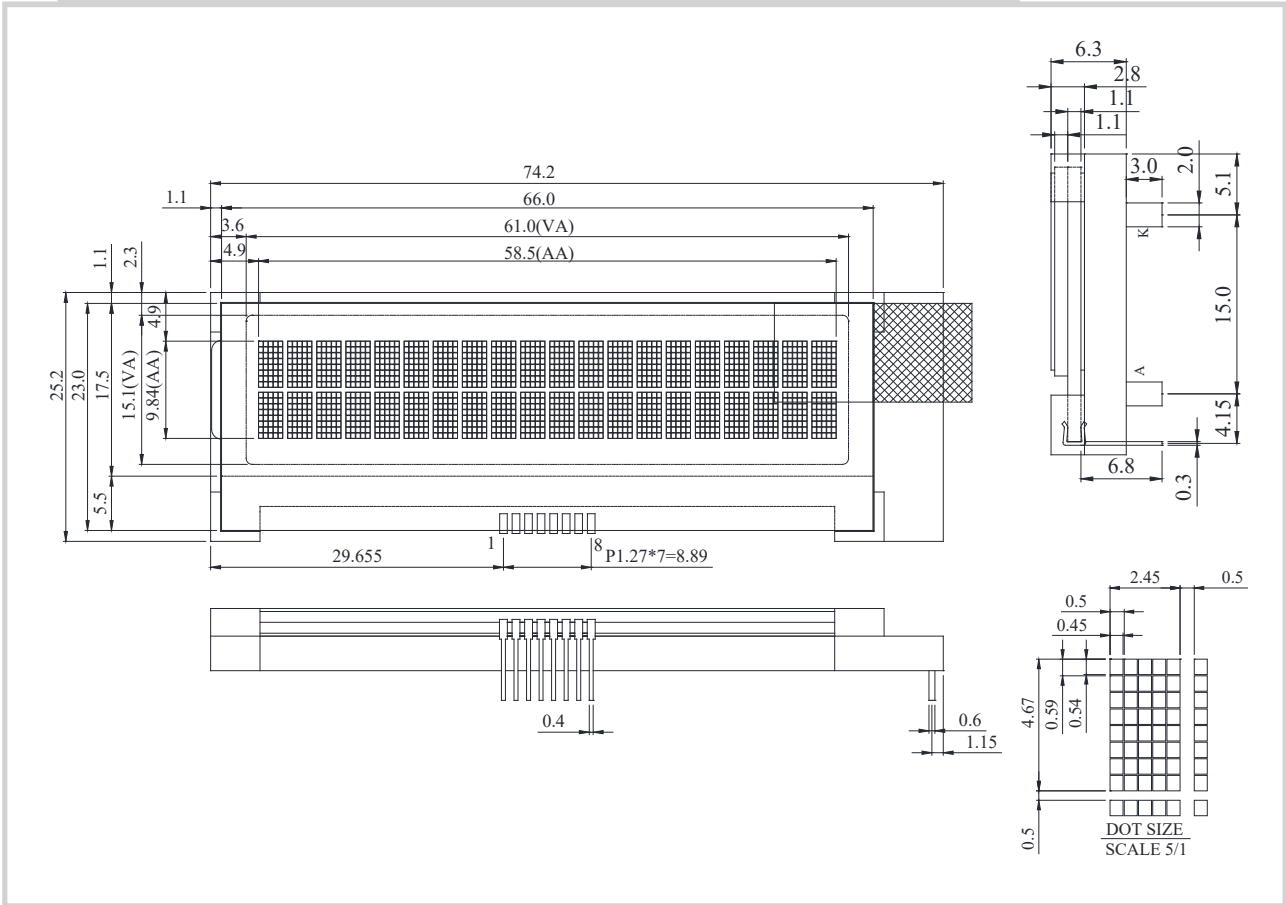


NTO2002A Character 20x2



Feature

1. 1.5x8 dots includes cursor
2. Built-in controller ST7036
3. 3V/5V power supply
4. 1/16 duty cycle

Pin No.	Symbol	Description
1	Vout	Positive Voltage output
2	CAP1N	DC/DC voltage converter.
3	CAP1P	DC/DC voltage converter.
4	V _{DD}	Power supply for logic
5	V _{SS}	Ground
6	SDA	Serial input data
7	SCL	Serial clock input
8	RST	Controller reset signal, Active Low

Mechanical Data

Item	Standard Value	Unit
Module Dimension	74.2 x 25.2	mm
Viewing Area	61.0 x 15.1	mm
Dot Pitch	0.50 x 0.59	mm
Dot Size	0.45 x 0.54	mm

Electrical Characteristics

Item	Symbol	Standard Value	Unit
		typ.	
Input Voltage	VDD	3/5	V
Recommended LCD Driving Voltage for Normal Temp. Version module @25°C	V _o -V _{ss}	4.50	V