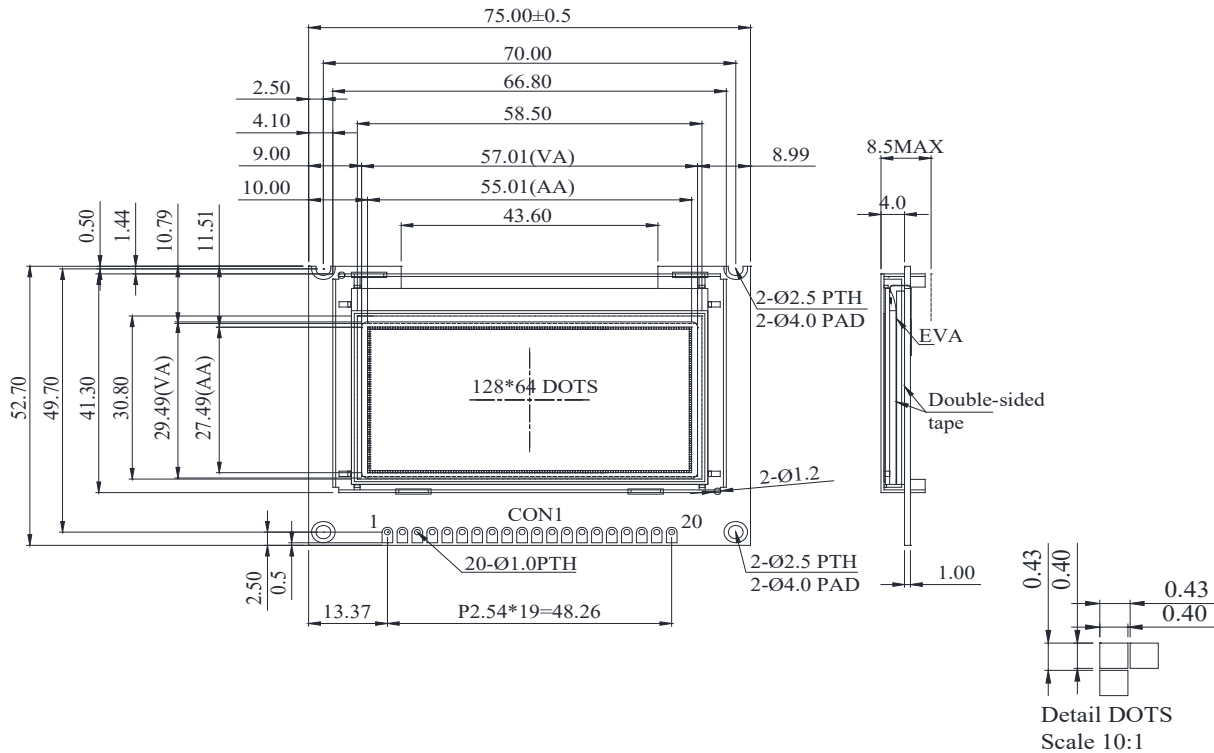


NTE0012864J OLED Graphic 128x64 dots



Feature

- 128*64 Dot Matrix
- Built-in controller SSD1309ZC
- 3V Power supply
- 1/64 duty
- Interface: 8080 option6800, SPI, I2C
- Polarizer optional

Pin No.	Symbol	Description
1	VDD	Voltage for logic
2	VSS	Ground Pin
3	NC	No Connection
4~11	D0~D7	Data Bus
12	CS#	Chip Select Pin
13	NC	No Connection
14	RES#	Reset Signal Pin
15	R/W#	Read/Write Control
16	D/C#	Data/Command Control Pin
17	E	Chip Enable Signal
18	NC	No Connection
19	DISP	Display off
20	NC	No Connection

Mechanical Data

Item	Standard Value	Unit
Module Dimension	75.0 x 52.7	mm
Viewing Area	57.01 x 29.49	mm
Active Area	55.01 x 27.49	mm
Dot Pitch	0.43 x 0.43	mm
Dot Size	0.40 x 0.40	mm

Electrical Characteristics

Item	Symbol	Condition	Standard Value			Unit
			min.	typ.	max.	
Input Voltage	VDD	---	2.8	3.0	3.3	V