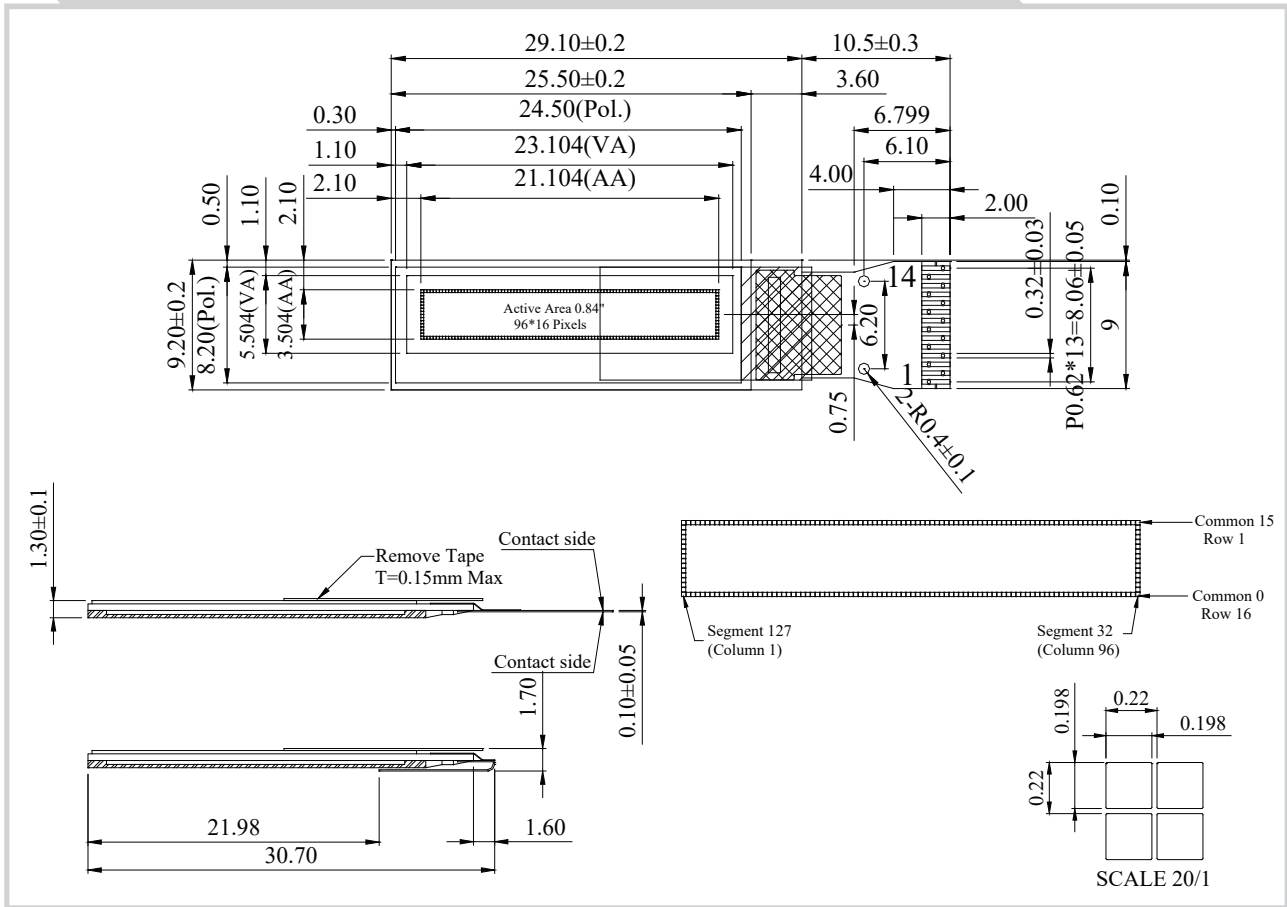


NTE0009616A OLED Graphic 96x16 dots



Feature

1. 96*16 Dot Matrix
2. Built-in controller SSD1306BZ
3. +3V Power supply
4. 1/16 duty
5. Interface: I2C
6. Polarizer optional

| Pin No. | Symbol | Description |
|---------|--------|-----------------------|
| 1 | C2N | Charge pump capacitor |
| 2 | C2P | Charge pump capacitor |
| 3 | C1P | Charge pump capacitor |
| 4 | C1N | Charge pump capacitor |
| 5 | VBAT | Charge pump regulator |
| 6 | NC | No Connection |
| 7 | VSS | Ground Pin |
| 8 | VDD | Voltage for logic |
| 9 | RES# | Reset Signal Pin |
| 10 | SCL | Serial clock |
| 11 | SDA | Serial data |
| 12 | IREF | SEG Current Refer Pin |
| 13 | VCOMH | COM deselected level |
| 14 | VCC | Panel driving voltage |

Mechanical Data

| Item | Standard Value | Unit |
|------------------|----------------|------|
| Module Dimension | 29.10 x 9.20 | mm |
| Viewing Area | 23.104 x 5.504 | mm |
| Active Area | 21.104 x 3.504 | mm |
| Dot Pitch | 0.22 x 0.22 | mm |
| Dot Size | 0.198 x 0.198 | mm |

Electrical Characteristics

| Item | Symbol | Condition | Standard Value | | | Unit |
|---------------|--------|-----------|----------------|------|------|------|
| | | | min. | typ. | max. | |
| Input Voltage | VDD | --- | 2.8 | 3.0 | 3.3 | V |