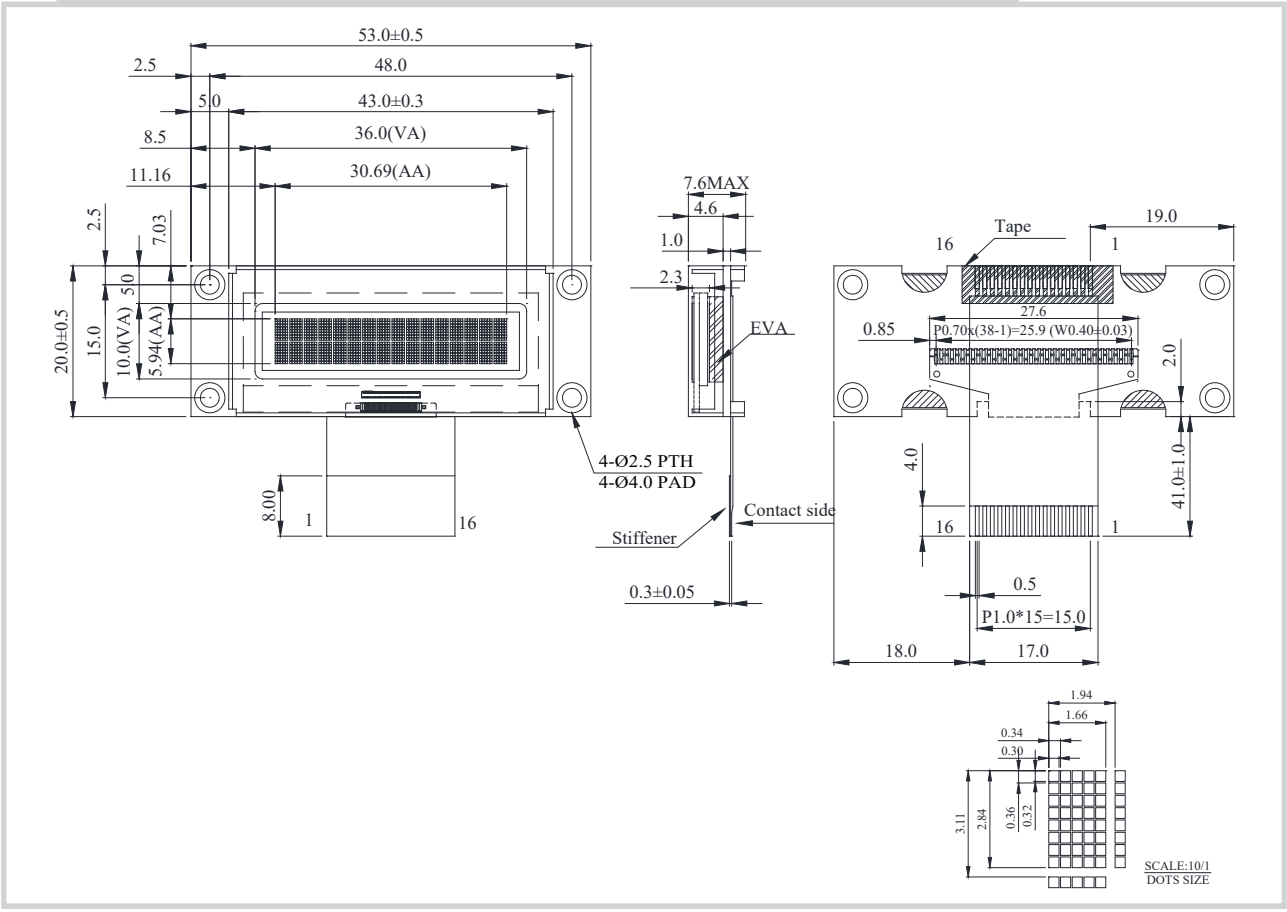


# NTE0001602B OLED Character 16x2



## Feature

- 16 characters x 2 Lines
- Built-in Controller WS0012
- 5V power supply
- 1/16 duty cycle
- Interface: 6800, option 8080, SPI
- Polarizer optional

| Pin No. | Symbol | Description        |
|---------|--------|--------------------|
| 1       | VSS    | Ground Pin         |
| 2       | VDD    | Voltage for logic  |
| 3       | NC     | No Connection      |
| 4       | RS     | Register Select    |
| 5       | R/W    | Read/Write Control |
| 6       | E      | Chip Enable Signal |
| 7       | DB0    | Data Bus           |
| 8       | DB1    | Data Bus           |
| 9       | DB2    | Data Bus           |
| 10      | DB3    | Data Bus           |
| 11      | DB4    | Data Bus           |
| 12      | DB5    | Data Bus           |
| 13      | DB6    | Data Bus           |
| 14      | DB7    | Data Bus           |
| 15      | NC     | No Connection      |
| 16      | NC     | No Connection      |

## Mechanical Data

| Item             | Standard Value | Unit |
|------------------|----------------|------|
| Module Dimension | 53.0 x 20.0    | mm   |
| Viewing Area     | 36.0 x 10.0    | mm   |
| Active Area      | 30.69 x 5.94   | mm   |
| Dot Pitch        | 0.34 x 0.36    | mm   |
| Dot Size         | 0.30 x 0.32    | mm   |

## Electrical Characteristics

| Item          | Symbol | Condition | Standard Value |      |      | Unit |
|---------------|--------|-----------|----------------|------|------|------|
|               |        |           | min.           | typ. | max. |      |
| Input Voltage | VDD    | ---       | 4.8            | 5.0  | 5.3  | V    |